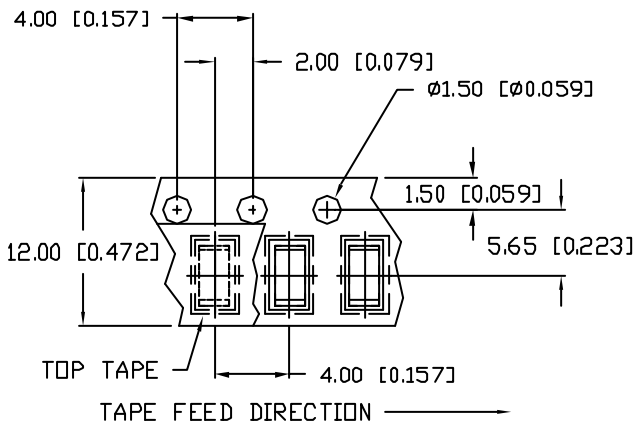
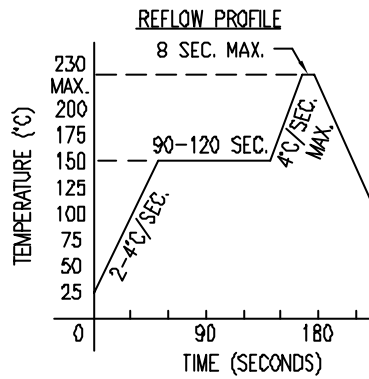
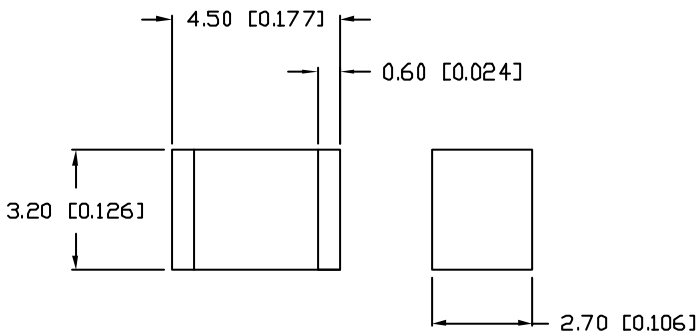


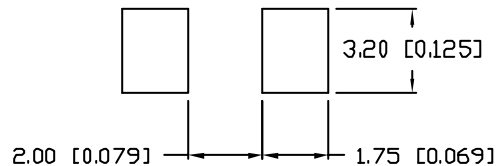
UNCONTROLLED DOCUMENT

GT-SMD1

| | |
|------|----------------|
| REV. | E.C.N. NUMBER |
| A | E.C.N. #11148. |



RECOMMENDED SOLDER PAD LAYOUT



| PARAMETER | ENVIRONMENTAL S |
|------------------------------|-----------------|
| D.C. FIRING VOLTAGE: | |
| IMPULSE CURRENT: | |
| A.C. DISCHARGE CURRENT: | |
| INSULATION RESISTANCE: | |
| INTER-ELECTRODE CAPACITANCE: | |

| TEST | METH |
|----------------------|------|
| VIBRATION TESTING: | 204 |
| SHOCK | 213 |
| HUMIDITY: | 103 |
| TEMPERATURE CYCLING: | 102 |
| BAROMETRIC PRESSURE: | 105 |
| THERMAL SHOCK: | 107 |
| SOLDERABILITY: | 201 |

NOTES:

1. 500 PIECES

*UNLESS OTHERWISE SPECIFIED TOLERANCES PER DECIMAL PRECISION ARE: X=±1 (±0.038), XX=±0.5 (±0.020), XXX=±0.25 (±0.010), XXXX=±0.127 (±0.005). LEAD SIZE=±0.05 (0.002), LEAD LENGTH=±0.

UNCONT

| | |
|------|--------------------|
| REV. | PART NUMBER |
| A | GT-SMD181215012-TR |

3.2 x 4.5mm SURFACE MOUNT SURGE,
ARRESTOR, 150V.

CONFIDENTIAL INFORMATION
THE INFORMATION CONTAINED IN THIS DOCUMENT IS THE PROPERTY OF LUMEX INC. EXCEPT AS SPECIFICALLY AUTHORIZED IN WRITING BY LUMEX INC., THE HOLDER OF THIS DOCUMENT SHALL KEEP ALL INFORMATION CONTAINED HEREIN CONFIDENTIAL AND SHALL PROTECT SAME IN WHOLE OR IN PART FROM DISCLOSURE AND DISSEMINATION TO ALL THIRD PARTIES.

RELIABILITY NOTE
OUR MANY YEARS OF EXPERIENCE DATA ACCUMULATION INDICATE THAT SOLDER HEAT IS A MAJOR CAUSE OF EARLY AND FUTURE FAILURE. PLEASE PAY ATTENTION TO YOUR SOLDERING PROCESS.



| | |
|-----------|---------|
| DRAWN BY: | CHECKED |
| JC | |